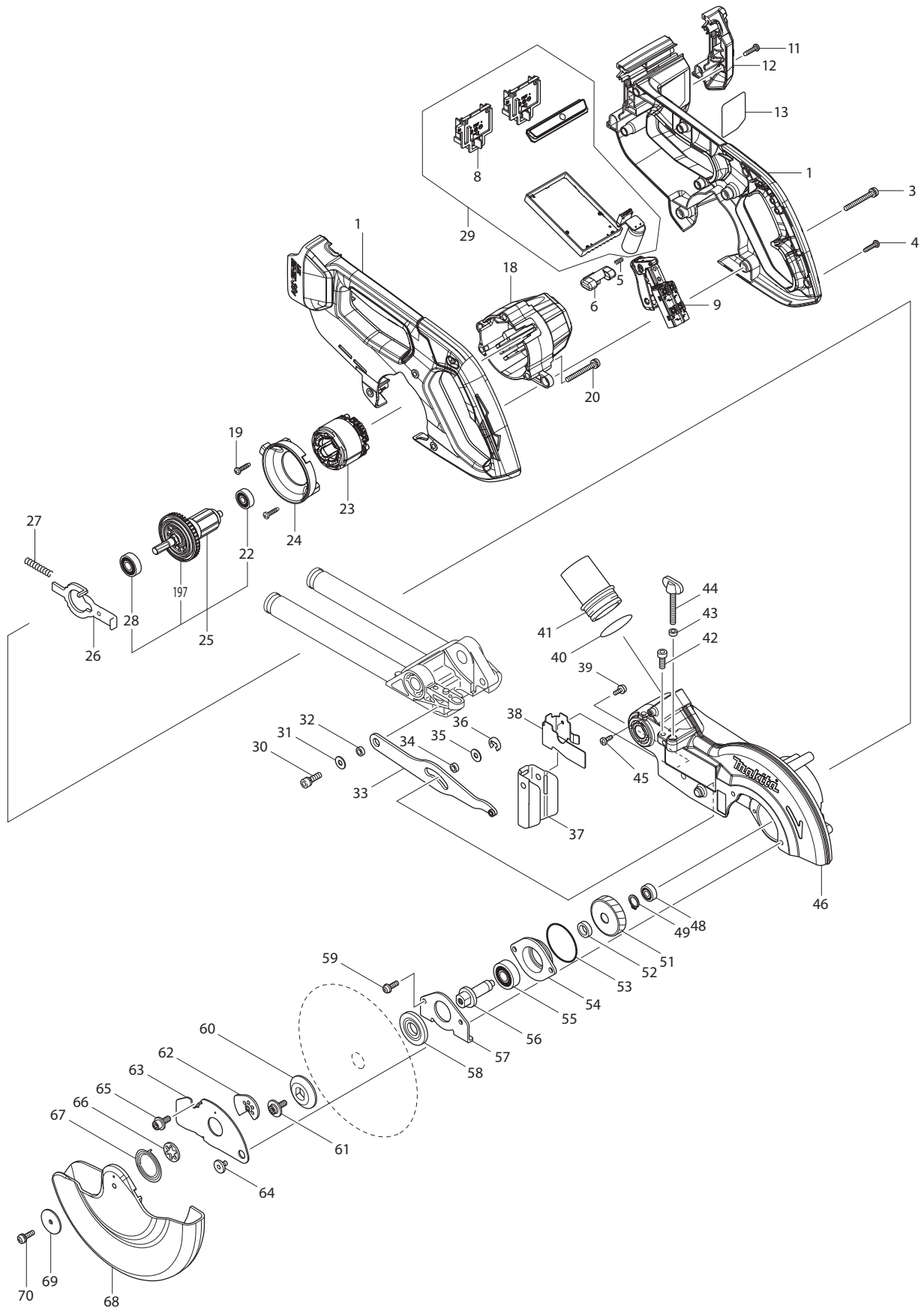


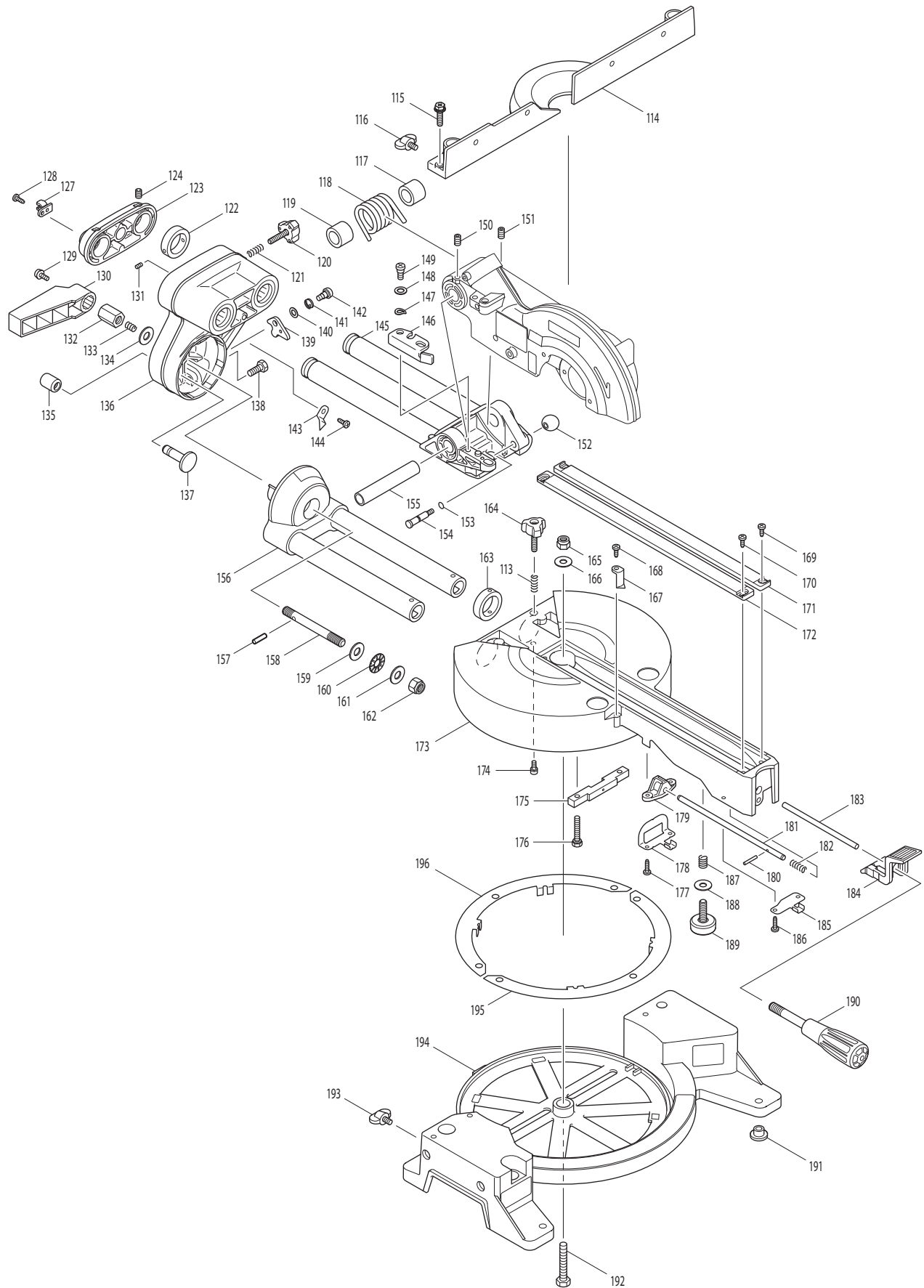


10 - 2015

DLS714Z

18Vx2 (36V) 7-1/2" Brushless Mitre Saw





Item No.	Type	Sub	Part No.	Description	Qty	Unit
001			183B55-3	HANDLE SET	1	SET
003			911268-2	PAN HEAD SCREW M5X45	3	PC.
004	3		265995-6	TAPPING SCREW 4X18	6	PC.
005			231397-8	COMPRESSION SPRING 4	1	PC.
006			456024-8	LOCK OFF BUTTON	1	PC.
008			644808-8	TERMINAL	2	PC.
009			650756-1	SWITCH	1	PC.
011	3		265995-6	TAPPING SCREW 4X18	3	PC.
012			143268-6	HANDLE COVER COMPLETE	1	PC.
		INC.	263005-3	RUBBER PIN 6	1	PC.
013			851E60-3	NAME PLATE F/ DLS714	1	PC.
018			456022-2	MOTOR HOUSING	1	PC.
019	3		265995-6	TAPPING SCREW 4X18	2	PC.
020			911268-2	PAN HEAD SCREW M5X45	3	PC.
022			210017-7	BALL BEARING 607DDW	1	PC.
023	1		629157-4	* STATOR	1	PC.
	2		629B69-3	* STATOR	1	PC.
024			456023-0	BAFFLE PLATE	1	PC.
025			519373-5	ROTOR ASS'Y	1	PC.
		INC.		Item No. 22,28,197		PC.
026			344681-3	SHAFT LOCK	1	PC.
027			233092-6	COMPRESSION SPRING 5	1	PC.
028			211092-6	BALL BEARING 629DDW	1	PC.
029	2		140B40-9	CONTROLLER COMPLETE	1	PC.
		INC.		Item No. 8		
	3		141G76-1	* CONTROLLER COMPLETE	1	PC.
		INC.		Item No. 8		
	4		141P88-8	* CONTROLLER COMPLETE	1	PC.
		INC.		Item No. 8		
030			922331-6	HEX. SOCKET HEAD BOLT M6X20	1	PC.
031			253804-1	FLAT WASHER 6	1	PC.
032			257163-5	RING 6	1	PC.
033			154643-1	LINK PLATE COMPLETE	1	PC.
034			257163-5	RING 6	1	PC.
035			346330-8	LINK COVER	1	PC.
036			961018-5	STOP RING E-5	1	PC.
037			424045-8	GUARD	1	PC.
038			345438-5	GUARD PLATE	1	PC.
039			911113-1	PAN HEAD SCREW M4X10	1	PC.
040			213460-9	O RING 35	1	PC.
041			419277-0	DUST NOZZLE	1	PC.
042			266757-5	HEX. SOCKET HEAD BOLT M6X16	1	PC.
043	2		262190-9	URETHANE RING 5	1	PC.
044			265717-4	SCREW M6X43	1	PC.
045			266026-4	TAPPING SCREW BIND CT 4X12	1	PC.
046	1		143374-7	BLADE CASE COMPLETE	1	PC.
		INC.	263002-9	RUBBER PIN 4	1	PC.
		INC.	263005-3	RUBBER PIN 6	1	PC.
		INC.	807B21-3	CAUTION LABEL	1	PC.
	2		140H25-1	BLADE CASE COMPLETE	1	PC.
		INC.	263002-9	RUBBER PIN 4	1	PC.
		INC.	263005-3	RUBBER PIN 6	1	PC.
		INC.	818L98-3	CAUTION LABEL	1	PC.
048			210017-7	BALL BEARING 607DDW	1	PC.

Item No.	Type	Sub	Part No.	Description	Qty	Unit
049			961052-5	RETAINING RING S-12	1	PC.
051			227810-2	HELICAL GEAR 53	1	PC.
052			257088-3	RING 12	1	PC.
053			213623-7	O RING 46	1	PC.
054			317193-9	BEARING BOX	1	PC.
055			211129-9	BALL BEARING 6201DDW	1	PC.
056			323798-5	SPINDLE	1	PC.
057			285694-4	BEARING RETAINER 58	1	PC.
058			224151-7	INNER FLANGE 40	1	PC.
059			911223-4	PAN HEAD SCREW M5X16	2	PC.
060			224275-9	OUTER FLANGE 40	1	PC.
061			266733-9	HEX. S.F.H. BOLT M6X16	1	PC.
062			345585-2	CENTER PLATE	1	PC.
063			346232-8	CENTER COVER	1	PC.
064			265985-9	HEX.SOCKET HEAD BOLT M6	1	PC.
065			266732-1	HEX. SOCKET HEAD BOLT M6X16	1	PC.
066			345589-4	CENTER WASHER	1	PC.
067			231934-8	SPIRAL SPRING 26	1	PC.
068	2		458786-4	SAFETY COVER	1	PC.
069			267136-0	FLAT WASHER 5	1	PC.
070			265491-4	H.S. BUTTON HEAD BOLT M5X16	1	PC.
113			231325-3	COMPRESSION SPRING 6	1	PC.
114	1		318655-0	GUIDE FENCE	1	PC.
	2		319193-5	GUIDE FENCE	1	PC.
115			922344-7	H.S.H.BOLT M6X25 WITH WG	3	PC.
116			251887-5	SCREW M6X10	1	PC.
117			416535-5	SLEEVE 17	1	PC.
118			233520-1	TORSION SPRING 28	1	PC.
119			416535-5	SLEEVE 17	1	PC.
120			265790-4	THUMB SCREW M6X28	1	PC.
121			231325-3	COMPRESSION SPRING 6	1	PC.
122			257214-4	RING 26	1	PC.
123			318651-8	PIPE HOLDER	1	PC.
124			266208-8	H.S.SET SCREW(CUP POINT)M6X8	2	PC.
127			687045-1	STRAIN RELIEF	1	PC.
128			266026-4	TAPPING SCREW BIND CT 4X12	1	PC.
129			911113-1	PAN HEAD SCREW M4X10	1	PC.
130			416006-2	LEVER 100	1	PC.
131			913106-4	SET SCREW M4X8	1	PC.
132			252144-4	HEX. NUT M10-17	1	PC.
133			231266-3	COMPRESSION SPRING 5	1	PC.
134			253024-7	FLAT WASHER 10	1	PC.
135			286236-7	CAP 16	1	PC.
136			140609-7	ARM COMPLETE	1	PC.
		INC.	211376-2	LINEAR BALL BEARING 2560	2	PC.
		INC.	262077-5	FELT RING 25	4	PC.
		INC.	263005-3	RUBBER PIN 6	2	PC.
		INC.	344638-4	CAP 35	2	PC.
137			324295-4	RELEASE PIN	1	PC.
138			266757-5	HEX. SOCKET HEAD BOLT M6X16	2	PC.
139			345299-3	STOPPER PLATE	1	PC.
140			253726-5	FLAT WASHER 6	1	PC.
141			231663-3	TORSION SPRING 8	1	PC.
142			265113-6	+PAN HEAD SCREW M5	1	PC.

Item No.	Type	Sub	Part No.	Description	Qty	Unit
143			343678-9	POINTER	1	PC.
144			266026-4	TAPPING SCREW BIND CT 4X12	1	PC.
145			140608-9	FRONT ARM COMPLETE	1	PC.
146			344643-1	STOPPER ARM	1	PC.
147			253948-7	WAVE WASHER 8	1	PC.
148			253835-0	FLAT WASHER 8	1	PC.
149			251267-5	+ PAN HEAD SCREW M6	1	PC.
150			251961-9	H.S.SET SCREW(FLAT POINT)M6X10	1	PC.
151			251961-9	H.S.SET SCREW(FLAT POINT)M6X10	1	PC.
152			271601-3	KNOB 20	1	PC.
153			213021-5	O RING 5	1	PC.
154			324183-5	STOPPER PIN	1	PC.
155			331350-5	PIN 16-90	1	PC.
156			140610-2	ARM HOLDER COMPLETE	1	PC.
		INC.	816392-5	BEVEL SCALE LABEL	1	PC.
157			256123-4	PIN 5	1	PC.
158			266320-4	SCREW M10	1	PC.
159			253024-7	FLAT WASHER 10	1	PC.
160			216413-7	THRUST NEEDLE CAGE 1024	1	PC.
161			253024-7	FLAT WASHER 10	1	PC.
162			252130-5	HEX. LOCK NUT M10-17	1	PC.
163			257214-4	RING 26	1	PC.
164			265790-4	THUMB SCREW M6X28	1	PC.
165			252105-4	HEX. LOCK NUT M8-13	1	PC.
166			253731-2	FLAT WASHER 8	1	PC.
167			416355-7	INDICATION PLATE	1	PC.
168			266026-4	TAPPING SCREW BIND CT 4X12	1	PC.
169			266026-4	TAPPING SCREW BIND CT 4X12	2	PC.
170			266026-4	TAPPING SCREW BIND CT 4X12	2	PC.
171			419103-3	KERF BOARD	1	PC.
172			419103-3	KERF BOARD	1	PC.
173			143372-1	TURN BASE COMPLETE	1	PC.
		INC.	211376-2	LINEAR BALL BEARING 2560	2	PC.
		INC.	262077-5	FELT RING 25	4	PC.
		INC.	263005-3	RUBBER PIN 6	1	PC.
		INC.	344638-4	CAP 35	2	PC.
		INC.	807B22-1	CAUTION LABEL	1	PC.
	2	INC.	818L97-5	CAUTION LABEL	1	PC.
		INC.	816787-2	INDICATION LABEL	1	PC.
	2	INC.	813L22-1	CAUTION LABEL	2	PC.
174			922111-0	HEX. SOCKET HEAD BOLT M4X10	1	PC.
175			153580-6	SQUARE ROD COMPLETE	1	PC.
		INC.	263005-3	RUBBER PIN 6	1	PC.
176			925251-3	HEX.BOLT M5X30	2	PC.
177			266034-5	TAPPING SCREW CT 4X16	2	PC.
178			344601-7	LOCK PLATE	1	PC.
179			317616-7	PIN HOLDER	1	PC.
180			256158-5	PIN 3	1	PC.
181			324288-1	LOCK PIN	1	PC.
182			231325-3	COMPRESSION SPRING 6	1	PC.
183			324289-9	ROD 6	1	PC.
184			416450-3	LOCK LEVER	1	PC.
185			345272-3	LOCK LEVER PLATE	1	PC.
186			266034-5	TAPPING SCREW CT 4X16	2	PC.

Item No.	Type	Sub	Part No.	Description	Qty	Unit
187			231418-6	COMPRESSION SPRING 9	1	PC.
188			253731-2	FLAT WASHER 8	1	PC.
189			266432-3	ADJUST BOLT M8X27	1	PC.
190			273658-0	GRIP 32	1	PC.
191			286212-1	CAP 20	5	PC.
192			921472-5	HEX. BOLT M8X50	1	PC.
193	2		911318-3	P.H. SCREW M6X14 WITH WR	2	PC.
194			140700-1	BASE COMPLETE	1	PC.
		INC.	816339-9	MITER SCALE PLATE	1	PC.
		INC.	810484-2	CAUTION LABEL	1	PC.
195			344646-5	SLIDE PLATE	1	PC.
196			344646-5	SLIDE PLATE	1	PC.
197			240033-5	FAN 57	1	PC.
198			140H27-7	SUB FENCE COM.	1	PC.
		INC.	818L95-9	CAUTION LABEL	1	PC.
199			252014-7	HEX LOCK NUT M6-10	1	PC.
200			266061-2	TAP SCREW BIND CT M4X8	1	PC.
201			345359-1	SUB FENCE PLATE	1	PC.
202			253804-1	FLAT WASHER 6	1	PC.
203			912357-6	COUNTERSUNK HEAD SCREW M6X35	1	PC.
204	2		620K96-7	* CONTROLLER B	1	PC.
205	2		652119-7	* PH SCREW M2x6	6	PC.
C01			878215-5	CARTON F/DLS714Z	1	PC.
D01			652039-5	+ BINDING HEAD SCREW M3.5X6.8	3	PC.
D02			654558-7	INSULATED CONNECTOR	3	PC.

ACCESSORIES

- Visit www.makita.ca for more accessories information -

A01			122571-8	VERTICAL VICE ASS'Y	1	PC.
		INC.	316938-2	WISE ARM	1	PC.
		INC.	251887-5	SCREW M6X10	1	PC.
		INC.	322313-2	WISE ROD	1	PC.
		INC.	265733-6	THUMB SCREW M10X60	1	PC.
		INC.	253804-1	FLAT WASHER 6	1	PC.
		INC.	343651-9	WISE PLATE	1	PC.
		INC.	251370-2	+ PAN HEAD SCREW M5	1	PC.
A02			122852-0	DUST BAG ASS'Y	1	PC.
		INC.	410602-8	FASTENER	1	PC.
A03			762001-3	TRIANGULAR RULE	1	PC.
A04			322312-4	HOLDER	2	PC.
A05			783203-8	HEX. WRENCH 5	1	PC.
A06			A-90629	7-1/2" CT BLADE 40T 5/8"	1	PC.
			-----	7-1/2" MITRE SAW BLADES	1	PC.
A07			-----	18V LI-ION BATTERY 1.5AH - 5.0AH	2	PC.
A08			-----	BATTERY CHARGER	1	PC.
A09			-----	LI-ION BATTERY ACCESSORIES		
A10			127056-9	* HOLDER ASSY	2	PC.
F01			122472-0	SET PLATE ASS'Y	1	PC.
		INC.	251887-5	SCREW M6X10	1	PC.
		INC.	345709-0	SET PLATE	1	PC.
F02			122567-9	HORIZONTAL VICE ASS'Y	1	PC.
		INC.	253047-5	FLAT WASHER 6	1	PC.
		INC.	253744-3	FLAT WASHER 12	1	PC.
		INC.	271272-6	KNOB 45	1	PC.
		INC.	315891-9	WISE PLATE	1	PC.

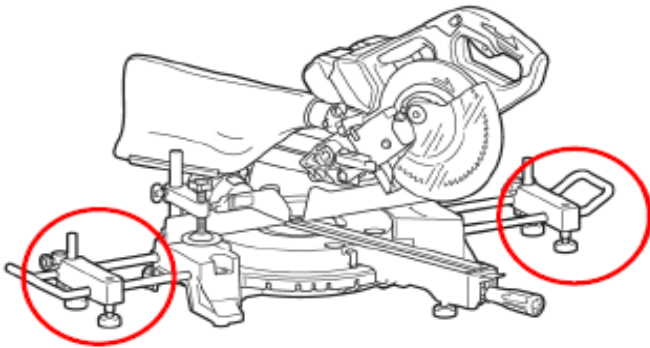
Item No.	Type	Sub	Part No.	Description	Qty	Unit
		INC.	321490-7	RELEASE NUT R	1	PC.
		INC.	321491-5	RELEASE NUT L	1	PC.
		INC.	341911-3	PROTECTOR	2	PC.
		INC.	341912-1	NUT HOLDER	1	PC.
		INC.	342967-9	SET PLATE	1	PC.
		INC.	911216-1	PAN HEAD SCREW M5X14	1	PC.
		INC.	911317-5	PAN HEAD SCREW M6X14	1	PC.
		INC.	151201-4	WISE ARM COMPLETE	1	PC.
F04	1		194061-1	(Parts Breakdown Available)	1	PC.
	2		198688-9	BENCHTOP MITER SAW STAND B	1	PC.
F05	1		194943-7	SLIDE MITRE SAW STAND C (Partsbreakdown available)	1	PC.
	2		198687-1	SLIDE MITRE SAW STAND C WST01	1	PC.
F06			256812-1	EXTENSION ROD 12 (FOR HOLDER ASSY)	1	PC.

SERVICE CHANGES

1. Addition of Holder Assembly (T/I# C5849)

Item No.	Description	
A10	Holder Assembly (2 PC.)	783203-8

Above parts are completely interchangeable as a set.



2. Change on Controller Complete and Stator (T/I# C0722) (T/I# DA939) (T/I# DJ472)

Item No.	Description	Type 1	Type 2	Type 3	Type 4
29	CONTROLLER COMPLETE	143291-1	140B40-9	141G76-1	141P88-8
23	STATOR		629157-4		629B69-3
204	CONTROLLER B	-----	-----	-----	620K96-7
205	PAN HEAD SCREW M2X6	-----	-----	-----	652119-7

Above parts are completely interchangeable as a set.

*See T/I#DJ472 for wiring.